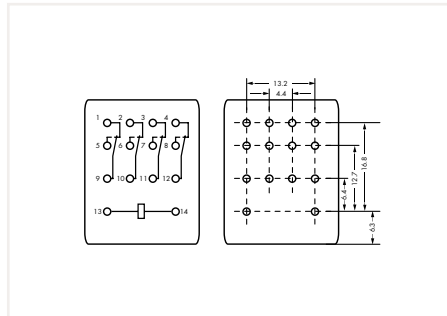


Basic Relay 858 Series

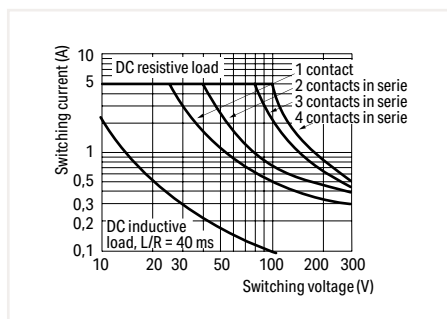
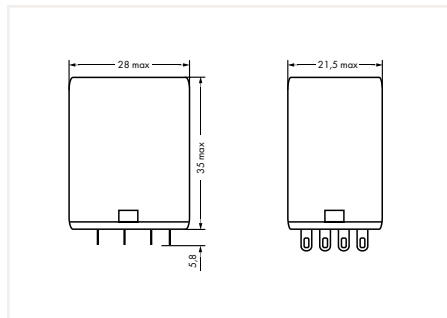


Similar to pictured device



Basic Relay; 4 changeover contacts; Limiting continuous current: 5 A; manually operated; Status indicator: red; 22 mm wide; 25 mm high

U_N	I_N	Item No.	Pack. Unit
12 VDC	75 mA	858-164	3
24 VDC	36.9 mA	858-150	3
24 VAC	50 mA	858-154	3
230 VAC	8.3 mA	858-151	3



DC Load Limit Curve

Load Circuit	
Number of changeover/switchover contacts	4
Contact material	AgCe
Limiting continuous current	5 A
Inrush current (resistive) max.	15 A (AC) / 4 s
Switching voltage (max.)	250 VAC
Switching power (resistive) max.	1250 VA (AC); DC see load limit curve
Recommended minimum load	12 V / 100 mA
Pull-in time (typ.)	25 ms
Drop-out time (typ.)	25 ms
Bounce time (typ.)	4 ms
Electrical life (NO; resistive load; 23 °C)	100 x 10 ³ switching operations
Mechanical life	20 x 10 ⁶ switching operations

Signaling	
Status indicator	Red LED; mechanical

Safety and Protection	
Rated voltage	250 V
Rated surge voltage	2.5 kV
Dielectric strength, control/load circuit (AC, 1 min)	1.5 kV _{rms}
Dielectric strength, open contact (AC, 1 min)	1 kV _{rms}
Dielectric strength, load/load circuit (AC, 1 min)	1.5 kV _{rms}
Protection type	IP20

Physical Data	
Width	21.5 mm / 0.846 inch
Height from the surface	35 mm / 1.378 inch
Depth	28 mm / 1.102 inch

Mechanical Data	
Mounting type	Pluggable module

Material Data	
Weight	37 g

Environmental Requirements	
Surrounding air temperature (operation at U_N)	-25 ... +70 °C
Surrounding air temperature (storage)	-40 ... +80 °C

Standards and Specifications	
Standards/specifications	EN 61810-1